



# SERIES GH HOSE REELS

COMMERCIAL / INDUSTRIAL APPLICATIONS  
MOUNT FROM CEILING, WALL OR UNDER BENCH

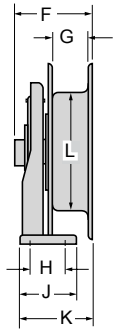
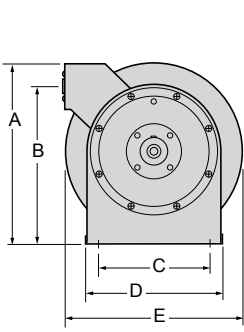
Choose 1/4", 3/8", 1/2" or 3/4" hose. Full flow shafts and swivels assure maximum product delivery. Reels feature spring rewind and ratchet lock, multi-position four roller hose guide and adjustable hose stop. Rugged steel construction. Steel components protected by durable baked polyester finish. Because rigid plumbing to reel input is not advised, all reels include a convenient 3' long connecting hose. Male input fitting on connecting hose is the same size as output end of hose on reel.



HOSE DATA							
DESCRIPTION	MAX PRESSURE psi	I.D. inch	O.D. inch	LENGTH feet	APPLICATION	INPUT HOSE FITTING	MODEL NUMBER
25' of low pressure 1/4" ID Hose.	300 psi	1/4	0.51	25	Air/Water	1/4 NPTF	GHA2525-L
35' of low pressure 1/4" ID Hose.	300 psi	1/4	0.51	35	Air/Water	1/4 NPTF	GHA2535-L
50' of low pressure 1/4" ID Hose.	300 psi	1/4	0.51	50	Air/Water	1/4 NPTF	GHB2550-L
35' of medium pressure 1/4" ID Hose.	2750 psi	1/4	0.53-0.63	35	Oil/Hyd. Fluid	1/4 NPTF	GHB2535-M
30' of high pressure 1/4" ID Hose.	5000 psi	1/4	0.59-0.69	30	Grease	1/4 NPTF	GHB2530-H
35' of high pressure 1/4" ID Hose.	5000 psi	1/4	0.59-0.69	35	Grease	1/4 NPTF	GHC2535-H
50' of high pressure 1/4" ID Hose.	5000 psi	1/4	0.59-0.69	50	Grease	1/4 NPTF	GHE2550-H
25' of low pressure 3/8" ID Hose.	300 psi	3/8	0.65	25	Air/Water	3/8 NPTF	GHA3825-L
35' of low pressure 3/8" ID Hose.	300 psi	3/8	0.65	35	Air/Water	3/8 NPTF	GHB3835-L
50' of low pressure 3/8" ID Hose.	300 psi	3/8	0.65	50	Air/Water	3/8 NPTF	GHC3850-L
70' of low pressure 3/8" ID Hose.	300 psi	3/8	0.65	75	Air/Water	3/8 NPTF	GHC3870-L
30' of medium pressure 3/8" ID Hose.	2250 psi	3/8	0.69-0.78	30	Oil/Hyd. Fluid	3/8 NPTF	GHB3830-M
50' of medium pressure 3/8" ID Hose.	2250 psi	3/8	0.69-0.78	50	Oil/Hyd. Fluid	3/8 NPTF	GHE3850-M
25' of high pressure 3/8" ID Hose.	4000 psi	3/8	0.75-0.84	25	Grease	3/8 NPTF	GHB3825-H
50' of high pressure 3/8" ID Hose.	4000 psi	3/8	0.75-0.84	50	Grease	3/8 NPTF	GHE3850-H
25' of low pressure 1/2" ID Hose.	300 psi	1/2	0.77	25	Air/Water	1/2 NPTF	GHB5025-L
35' of low pressure 1/2" ID Hose.	300 psi	1/2	0.77	35	Air/Water	1/2 NPTF	GHC5035-L
50' of low pressure 1/2" ID Hose.	300 psi	1/2	0.77	50	Air/Water	1/2 NPTF	GHE5050-L
25' of medium pressure 1/2" ID Hose.	2000 psi	1/2	0.81-0.90	25	Oil/Hyd. Fluid	1/2 NPTF	GHB5025-M
35' of medium pressure 1/2" ID Hose.	2000 psi	1/2	0.81-0.90	35	Oil/Hyd. Fluid	1/2 NPTF	GHC5035-M
50' of medium pressure 1/2" ID Hose.	2000 psi	1/2	0.81-0.90	50	Oil/Hyd. Fluid	1/2 NPTF	GHE5050-M
25' of low pressure 3/4" ID Hose.	300 psi	3/4	1.19	75	Air/Water	1/4 NPTF	GHE7525-L

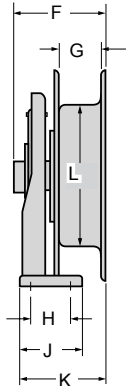
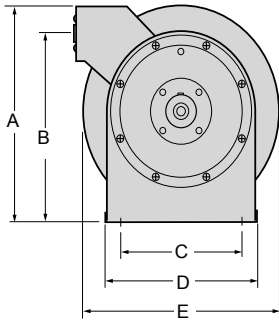
## SERIES GH HOSE REEL DIMENSIONS

All dimensions in inches. For millimeters, multiply inches by 25.4.



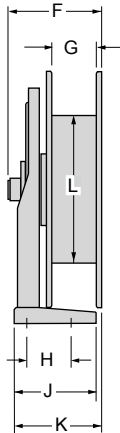
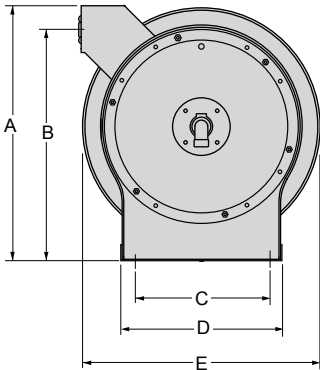
### FRAME SIZE GHA inches (mm)

A	B	C	D	E	F	G	H	J	K	L
12.875	11.25	8.00	9.875	12.125	5.50	2.50	2.50	4.00	5.09	8.375
(327)	(286)	(203)	(250)	(308)	(140)	(64)	(64)	(102)	(132)	(213)



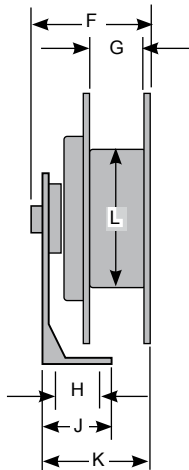
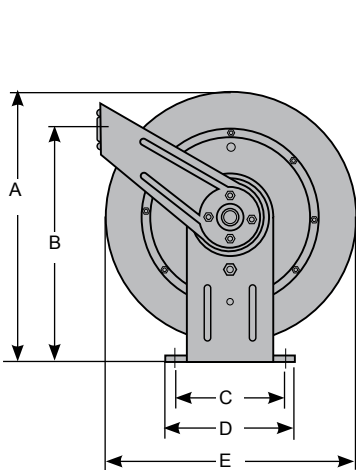
### FRAME SIZE GHB inches (mm)

A	B	C	D	E	F	G	H	J	K	L
14.50	12.813	9.75	11.25	13.75	6.188	3.156	2.50	4.00	5.875	8.375
(368)	(325)	(248)	(285)	(349)	(157)	(80)	(64)	(102)	(149)	(213)



### FRAME SIZE GHC inches (mm)

A	B	C	D	E	F	G	H	J	K	L
17.50	15.625	9.75	11.25	16.50	6.186	3.156	2.50	4.00	5.875	10.25
(445)	(286)	(248)	(285)	(419)	(157)	(80)	(64)	(102)	(149)	(260)



### FRAME SIZE GHE inches (mm)

A	B	C	D	E	F	G	H	J	K	L
20.38	18.12	7.88	9.45	19.00	6.63	3.35	3.86	5.43	6.10	18.38
(518)	(460)	(200)	(240)	(483)	(168)	(85)	(98)	(138)	(155)	(213)

Brake Products, Inc.

16751 Hilltop Park Place  
Chagrin Falls, Ohio 44023

Phone: (440) 543-7962 • Fax: (440) 543-7963

Web: [www.brakeproducts.com](http://www.brakeproducts.com)

